

GE

Energy Connections

Model 680

Current Transformer Window Diameter 7.02"

Application

Relaying and metering.

Frequency

50-400 Hz.

Insulation Level

600 Volts, 10 kV BIL full wave.

Continuous Thermal Current Rating Factor

50:5-1200:5 2.0 at 30°C. amb., 1.5 at 55°C amb. and 2000:5

2500:5-4000:5: 1.33 at 30°C. amb., 1.0 at 55°C. amb.

5000:5: 1.0 at 30°C. amb., 0.8 at 55°C amb.

Secondary terminals are brass screws No. 10-32 with one flatwasher, lockwasher, accessible from either side.

Approximate weight 34 lbs.



REGULATORY AGENCY APPROVALS



Manufactured to meet the requirements of ANSI/IEEE C57.13.
Classified by U.L. in accordance with IEC 44-1

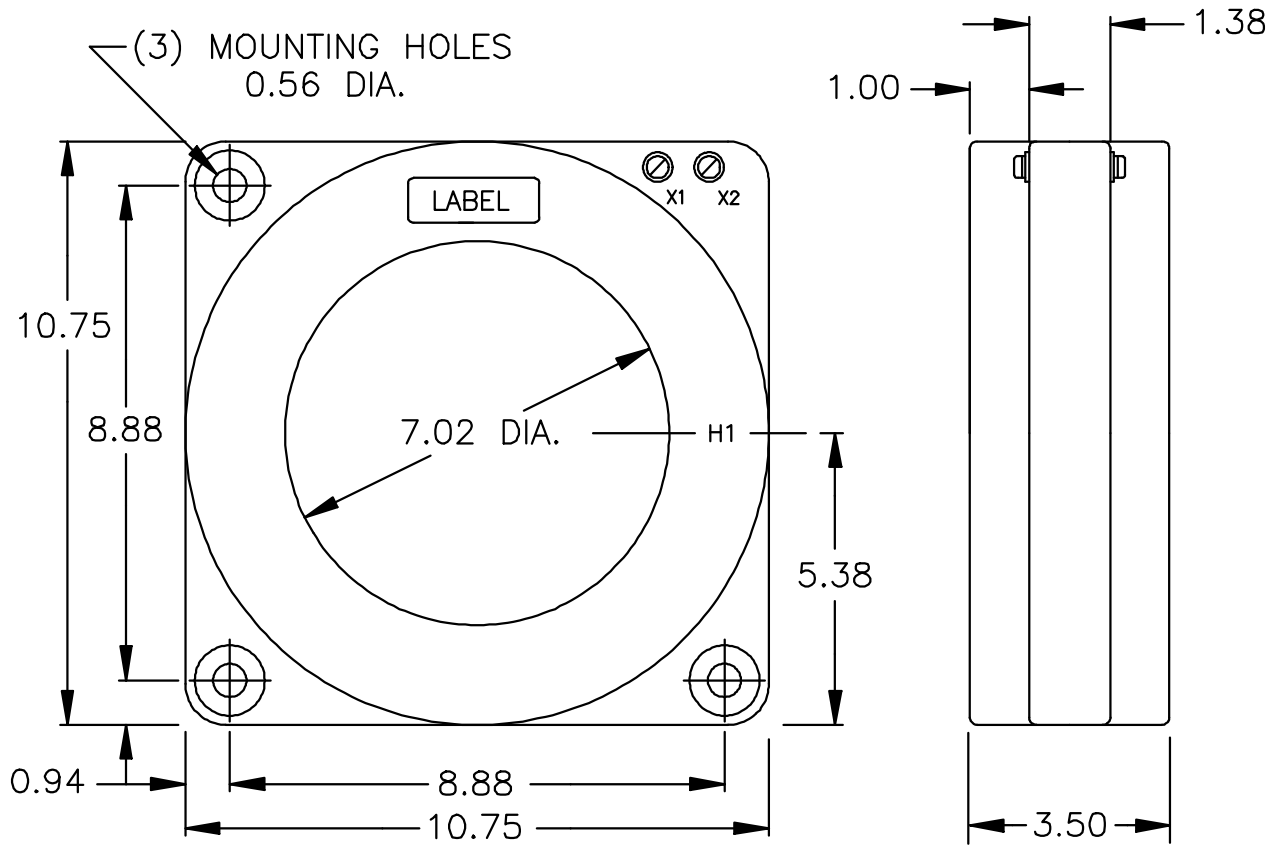
Model 680

Catalog Number	Current Ratio	Relay Class	ANSI Metering Class at 60 HZ				
			B0.1	B0.2	B0.5	B0.9	B1.8
680-500	50:5	—	4.8	4.8	—	—	—
680-750	75:5	C10	1.2	2.4	—	—	—
680-101	100:5	C10	1.2	1.2	4.8	—	—
680-151	150:5*	C20	0.6	1.2	2.4	4.8	—
680-201	200:5*	C20	0.6	1.2	1.2	2.4	4.8
680-251	250:5*	C20	0.6	0.6	1.2	2.4	2.4
680-301	300:5*	C20	0.3	0.6	0.6	1.2	2.4
680-401	400:5*	C50	0.3	0.3	0.6	0.6	1.2
680-501	500:5*	C50	0.3	0.3	0.3	0.6	0.6
680-601	600:5*	C100	0.3	0.3	0.3	0.3	0.6
680-751	750:5*	C100	0.3	0.3	0.3	0.3	0.6
680-801	800:5*	C100	0.3	0.3	0.3	0.3	0.3
680-102	1000:5*	C100	0.3	0.3	0.3	0.3	0.3
680-122	1200:5*	C200	0.3	0.3	0.3	0.3	0.3
680-152	1500:5*	C200	0.3	0.3	0.3	0.3	0.3
680-202	2000:5*	C200	0.3	0.3	0.3	0.3	0.3
680-252	2500:5*	C200	0.3	0.3	0.3	0.3	0.3
680-302	3000:5*	C200	0.3	0.3	0.3	0.3	0.3
680-402	4000:5*	C200	0.3	0.3	0.3	0.3	0.3
680-502	5000:5*	C200	0.3	0.3	0.3	0.3	0.3

Approved for revenue metering by Industry Canada No. AE-0644(*)



Model 680



Grid-AIS-L4-ITL_Model_680-1357-2017_06-EN. © Copyright 2017. General Electric Company and Instrument Transformers LLC reserve the right to change specifications of described products at any time without notice and without obligation to notify any person of such changes.

